

Einhell



FREELEXO+

SERVICE
<http://qr.einhell.com/179a044c>



1

Step 1: Unboxing and assembly. The diagram shows the device being removed from its packaging. Dimensions for the box are indicated as 30 cm and 10 cm. The device is shown with its components, including a battery pack and a charging cable. A warning icon indicates that the device should not be used near trees or other obstacles.

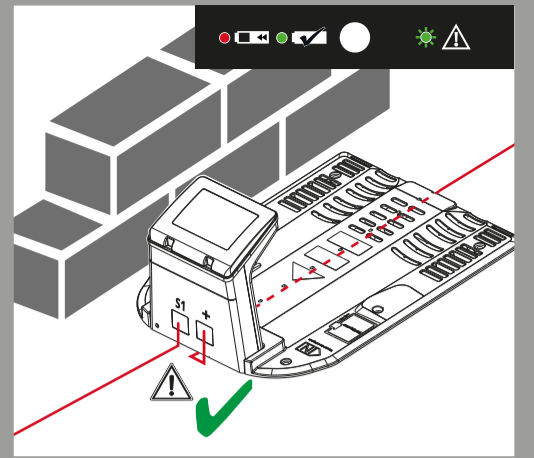
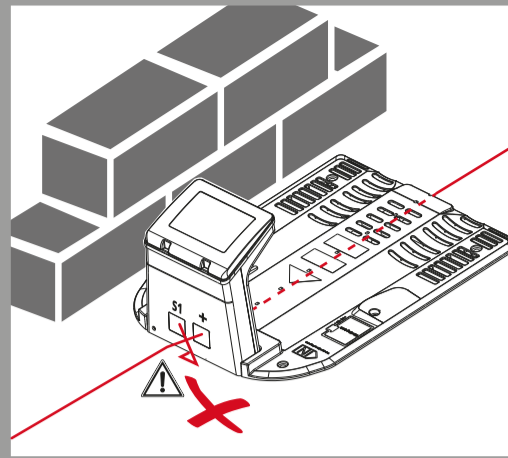
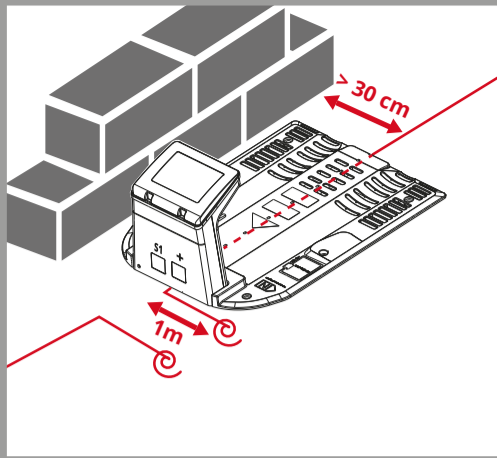
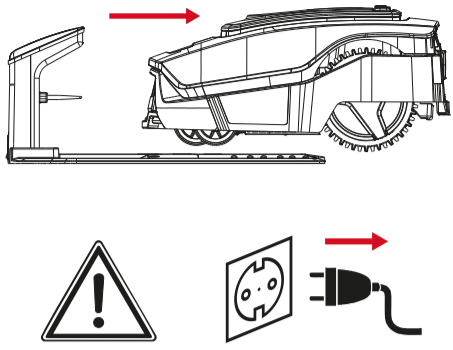
2

Step 2: Usage instructions. The diagram shows the device being used in a house, a car, and a garden. A warning icon indicates that the device should not be used near water. Dimensions for the device's range are indicated as >2m and max. 10 m. A warning icon indicates that the device should not be used near power outlets.

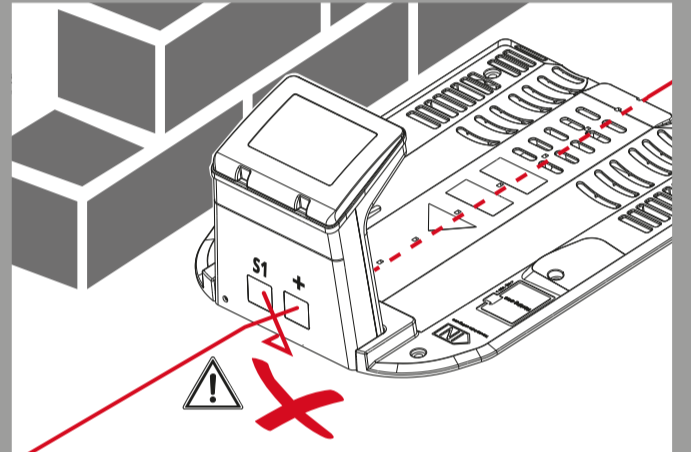
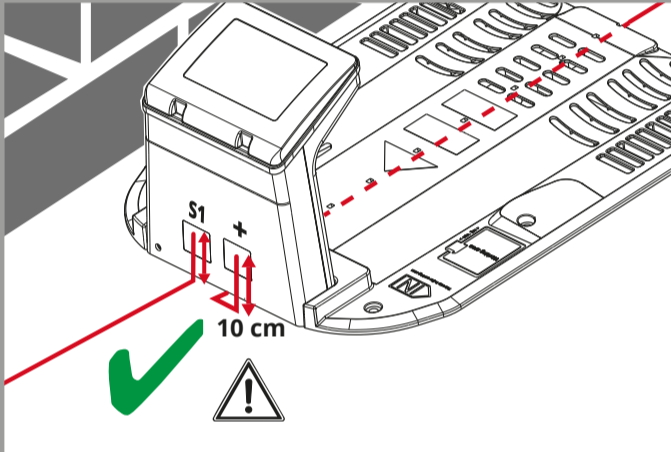
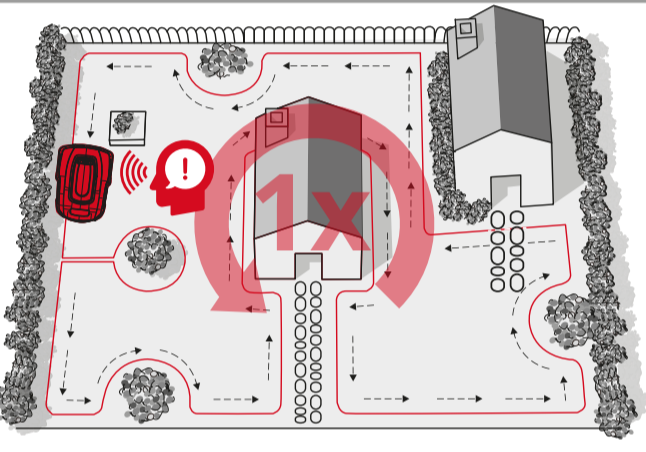
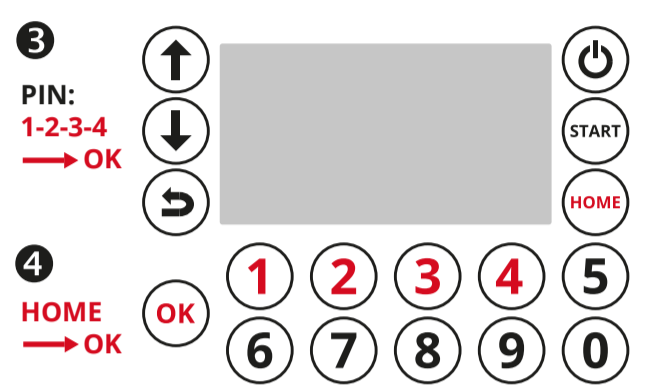
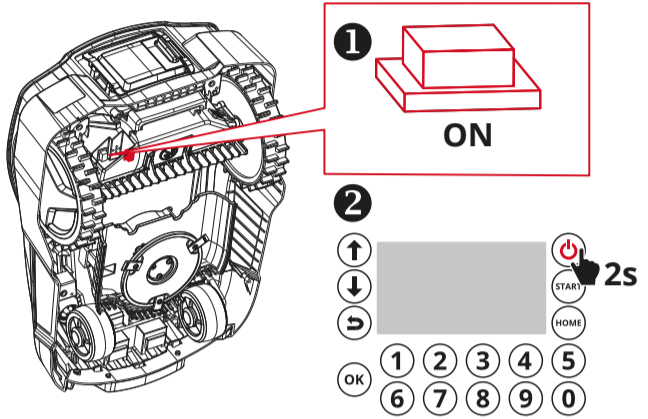
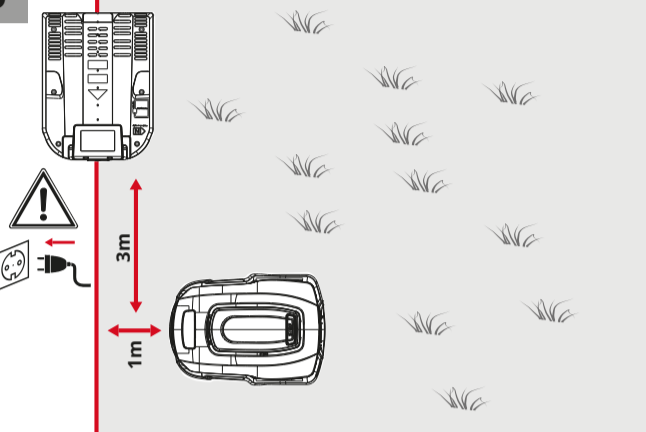
3

Step 3: Detailed usage instructions. The diagram shows the device being used in various environments, such as a garden, a car, and a house. Specific safety warnings and dimensions are provided for each environment. For example, in a garden, the device should be used at a distance of >30 cm from buildings and >1m from trees. In a car, the device should be used at a distance of >30 cm from the car. In a house, the device should be used at a distance of >1,4m from walls and >0,8m from windows.

4



5



6

